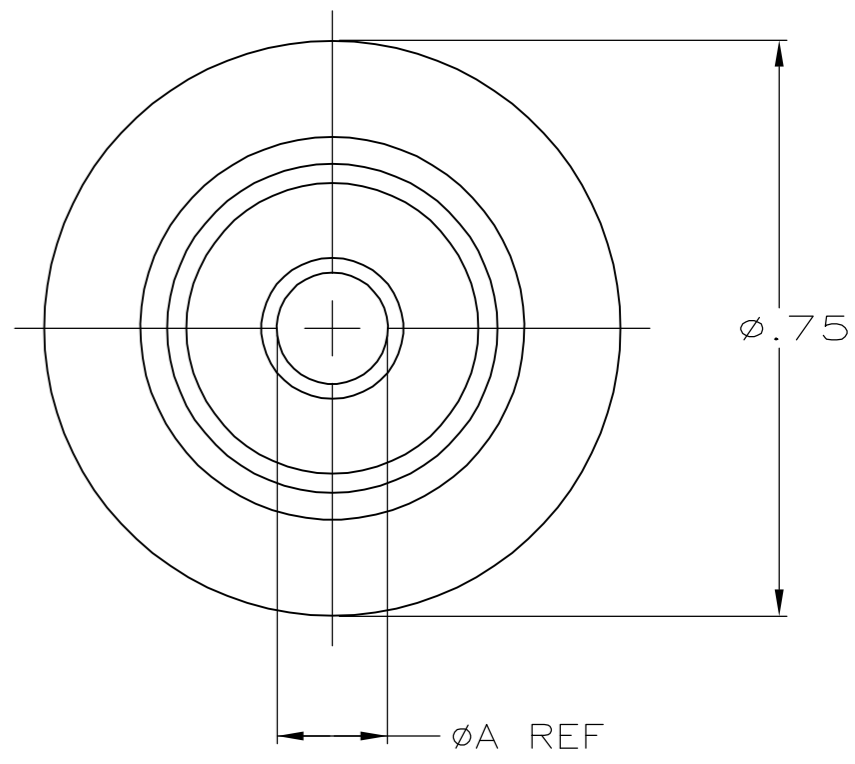
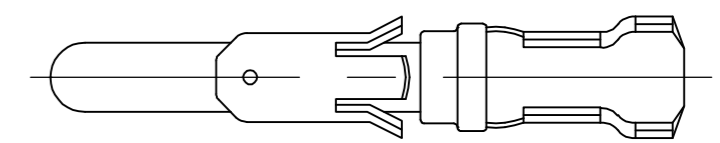
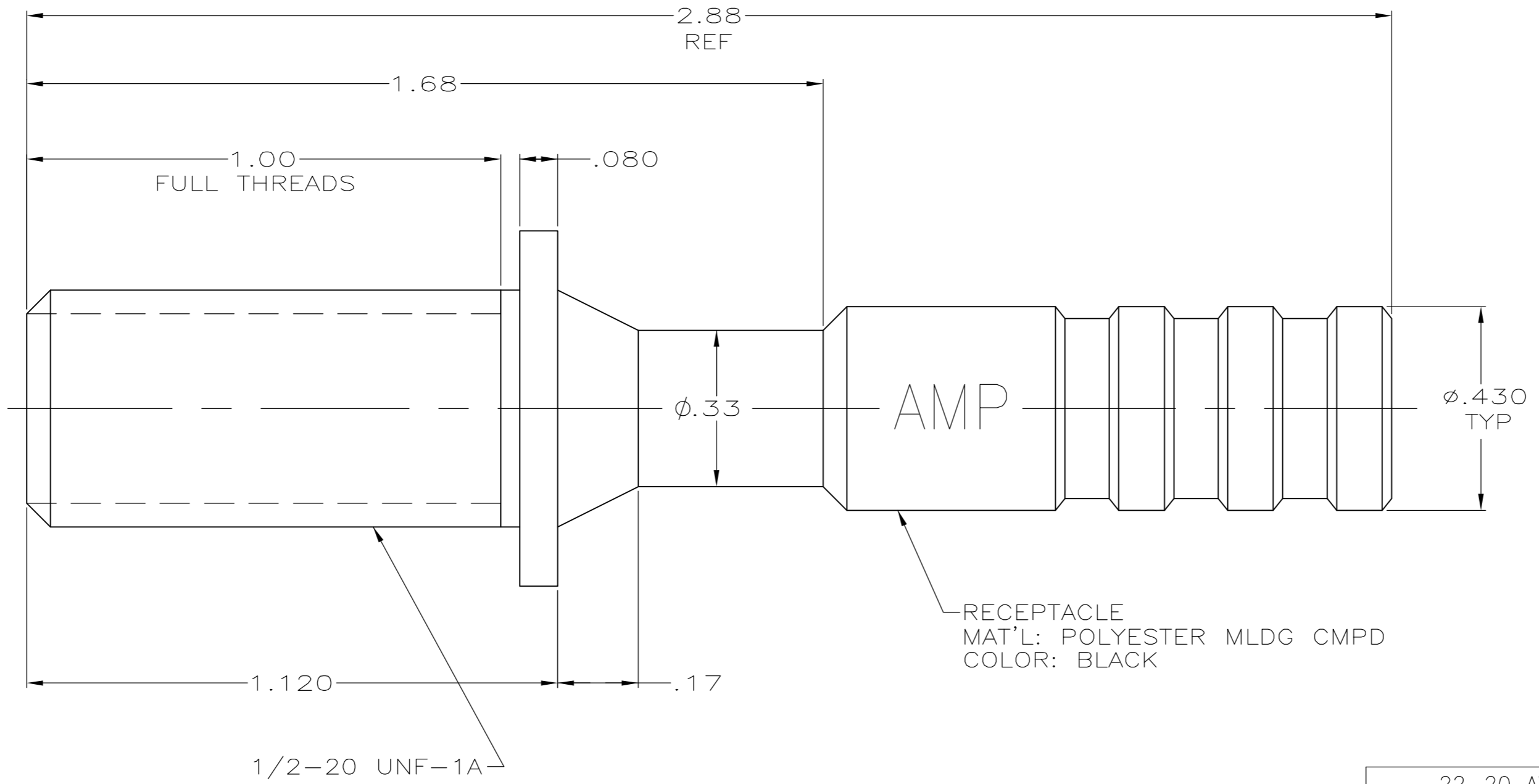


THIS DRAWING IS UNPUBLISHED. RELEASED FOR PUBLICATION - .N/A .  
 © COPYRIGHT N/A BY TYCO ELECTRONICS CORPORATION. ALL RIGHTS RESERVED.

| LOC | DIST | REVISIONS |     |                      |       |     |      |
|-----|------|-----------|-----|----------------------|-------|-----|------|
| DF  | S0   | P         | LTR | DESCRIPTION          | DATE  | DWN | APVD |
|     |      | G         |     | REV PER OH14-0191-05 | 05-05 | AA  | DE   |

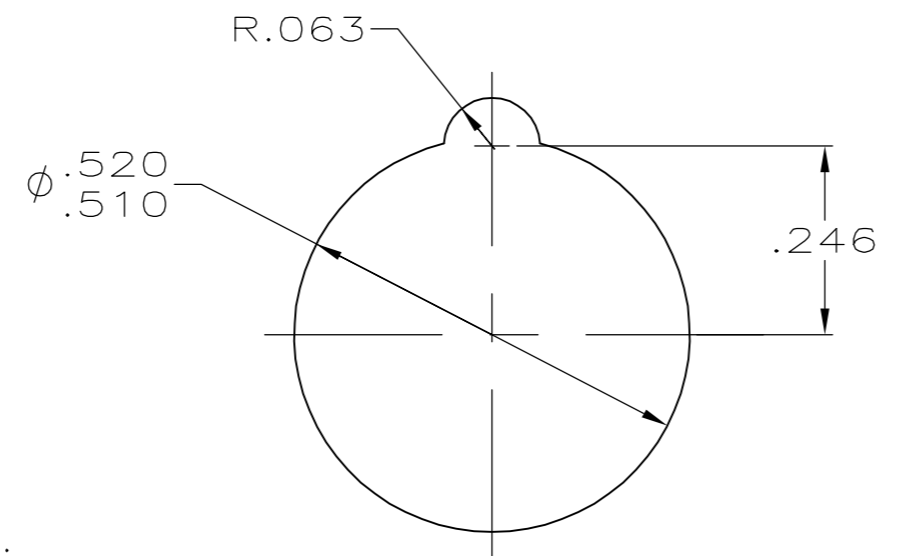


RECEPTACLE  
 MAT'L: POLYESTER MLDG CMPD  
 COLOR: BLACK

NUT  
 MAT'L: POLYESTER  
 MLDG CMPD  
 COLOR: BLACK

1/2-20 UNF-1A

|               |           |                                    |           |             |
|---------------|-----------|------------------------------------|-----------|-------------|
|               | 22-20 AWG | .302                               | 1-66400-0 | 5-862197-4  |
|               | 18-16 AWG | .185                               | 1-66099-5 | 5-862197-3  |
|               | 18-16 AWG | .302                               | 1-66099-5 | 5-862197-2  |
|               | 22-20 AWG | .185                               | 1-66400-0 | 5-862197-1  |
| OBSOLETE      | 14 AWG    | .302                               | 66361-2   | 862197-8    |
| OBSOLETE      | 14 AWG    | .185                               | 66361-2   | 862197-7    |
|               | -         | .302                               | -         | 862197-6    |
|               | -         | .185                               | -         | 862197-5    |
|               | 22-20 AWG | .302                               | 66400-1   | 862197-4    |
|               | 18-16 AWG | .185                               | 66099-2   | 862197-3    |
|               | 18-16 AWG | .302                               | 66099-2   | 862197-2    |
|               | 22-20 AWG | .185                               | 66400-1   | 862197-1    |
| WIRE GAGE REF | DIM A REF | PIN CONTACT TYPE III+ L.P. QTY = 1 |           | PART NUMBER |



MOUNTING HOLE

- MAX VOLTAGE:  
20 KVDC  
8 KVDC RMS 60 HZ
- USE AMP CRIMP TOOL: #90067-2
- NUT AND PIN CONTACT SUPPLIED WITH KIT UNASSEMBLED.

THIS DRAWING IS A CONTROLLED DOCUMENT.

|                    |  |                          |   |
|--------------------|--|--------------------------|---|
| DIMENSIONS: INCHES | TOLERANCES UNLESS OTHERWISE SPECIFIED: | DWN C.C.THOMAS 04-MAY-01 | Tyco Electronics Corporation<br>Harrisburg, Pa 17105-3608 |
|                    |  | CHK D. EABY 04-MAY-01    |   |
|                    |  | APVD D. EABY 04-MAY-01   |   |
|                    |  | PRODUCT SPEC             |   |
| MATERIAL           | FINISH                                 | APPLICATION SPEC         | NAME RECEPTACLE LGH                                       |
|                    |  | WEIGHT                   | SIZE A2 CAGE CODE 00779 DRAWING NO C=862197 RESTRICTED TO |
|                    |  | CUSTOMER DRAWING         | SCALE 4:1 SHEET 1 OF 1 REV G                              |